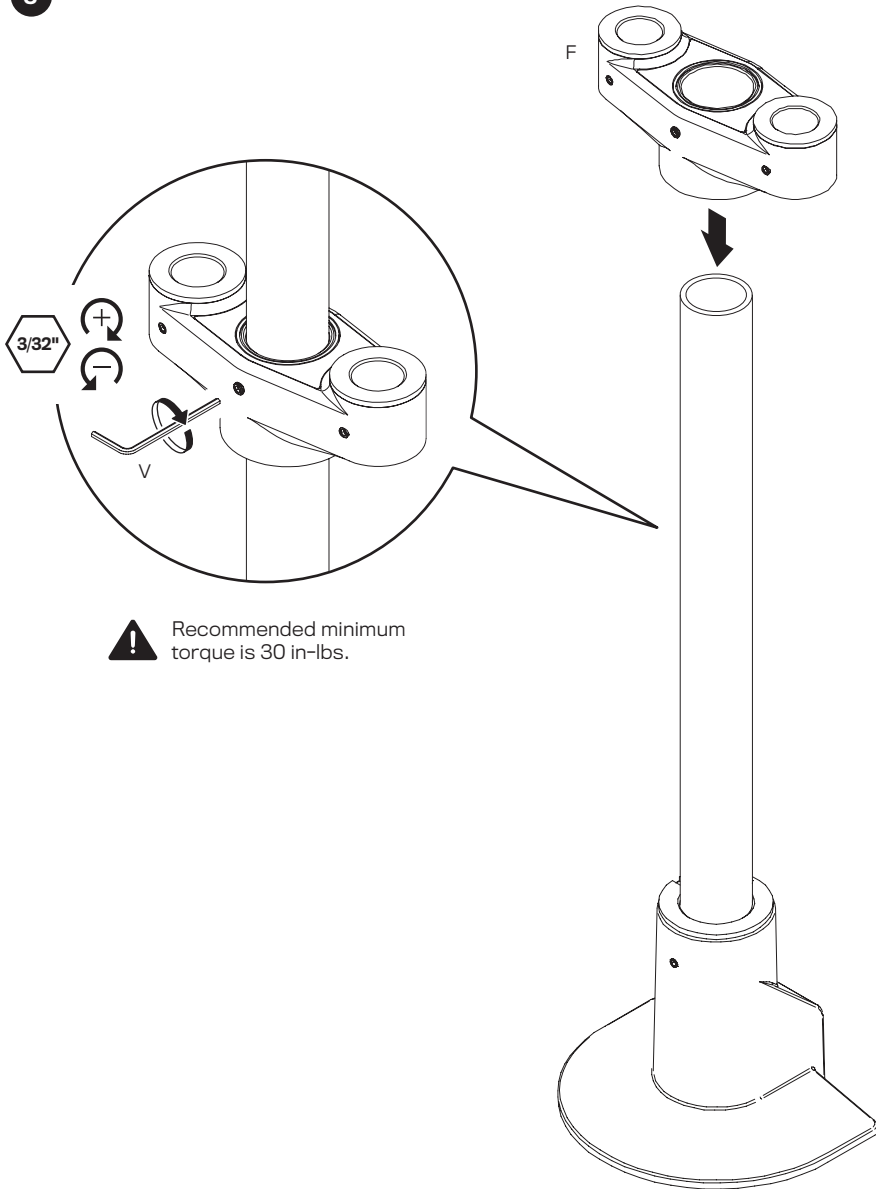
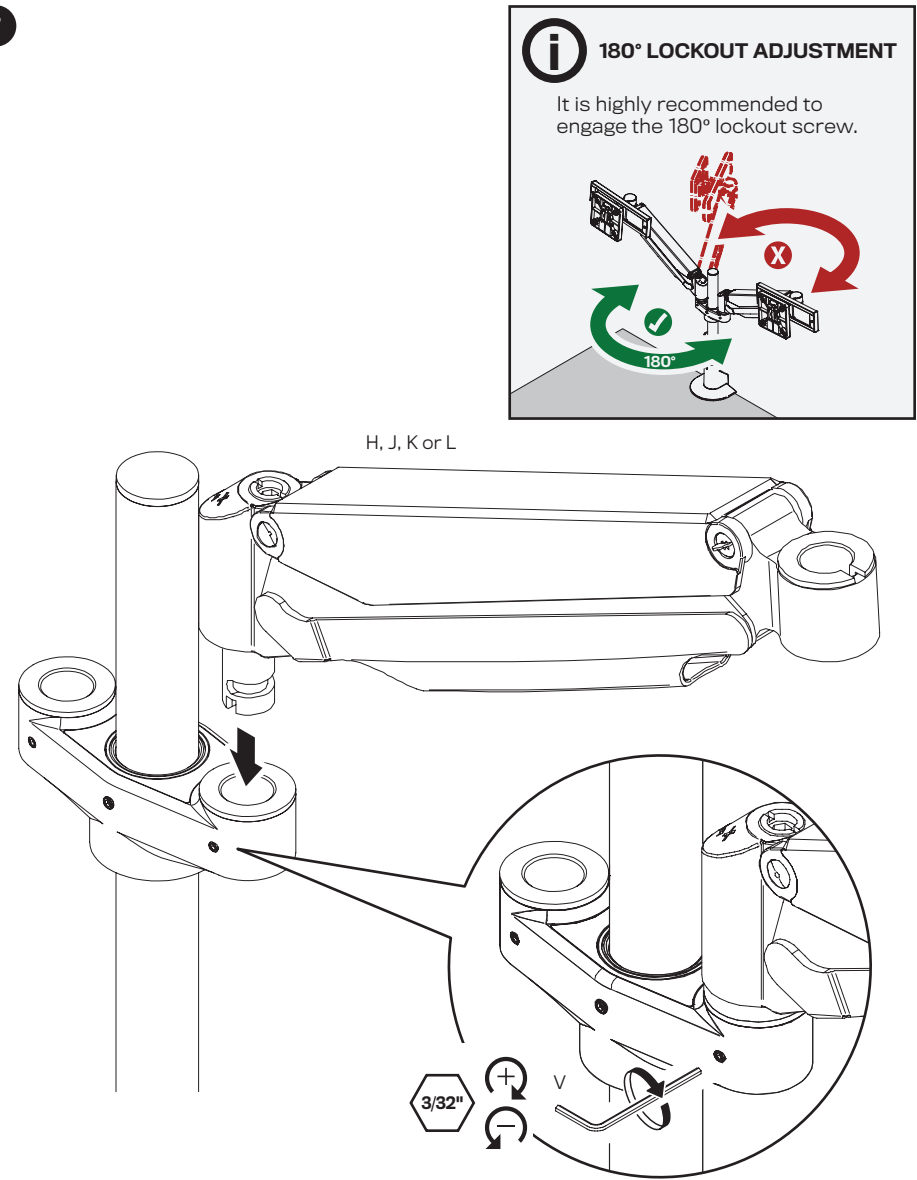


# DUAL YOKE ASSEMBLY

6

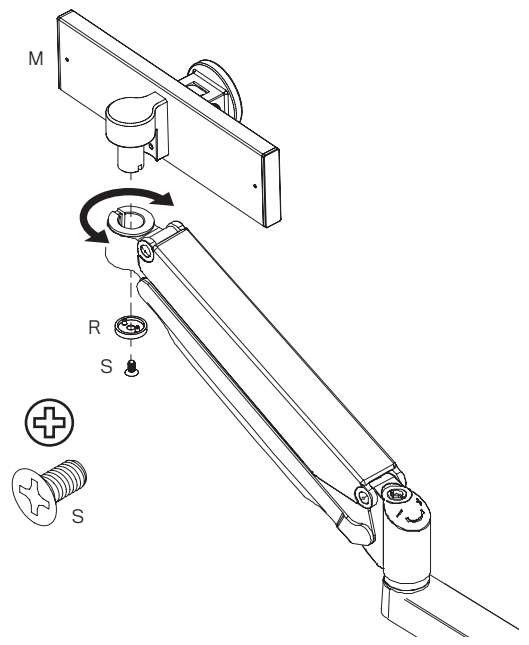


7

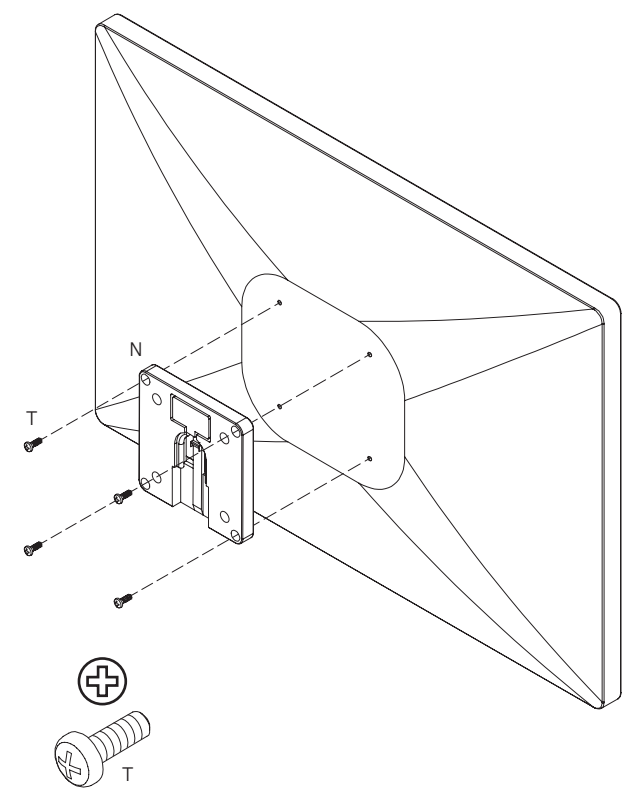


# SLIDER W/ QUICK CONNECT VESA PLATE ASSEMBLY

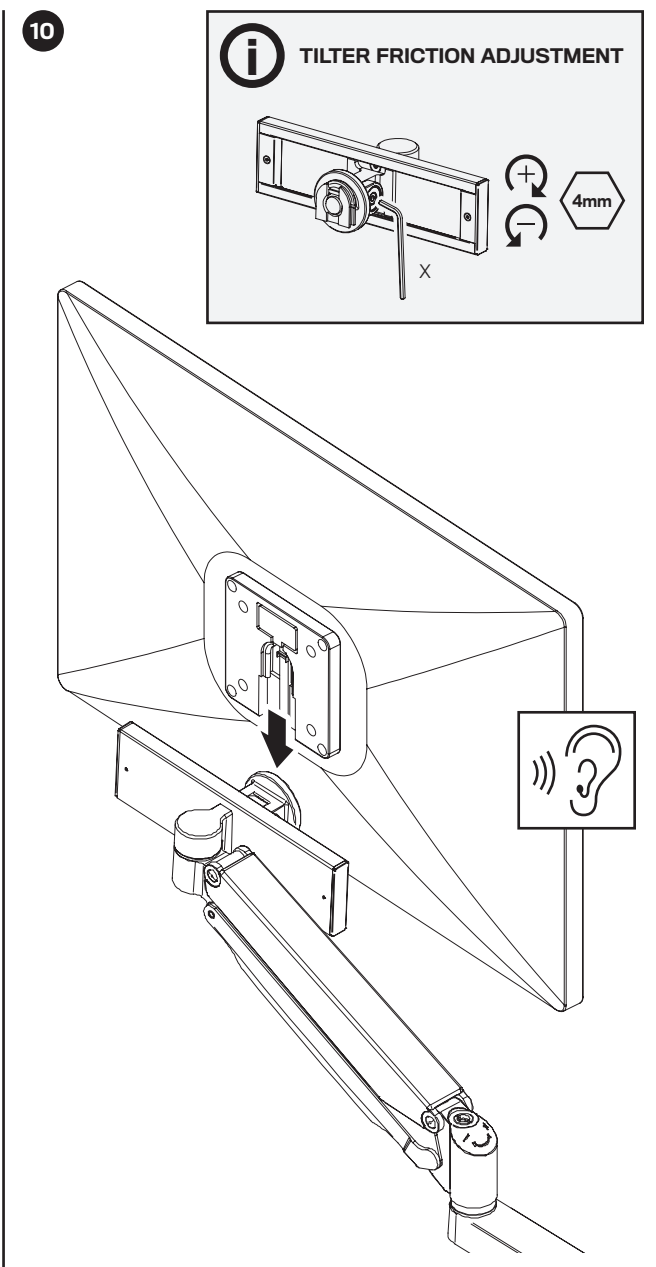
8



9

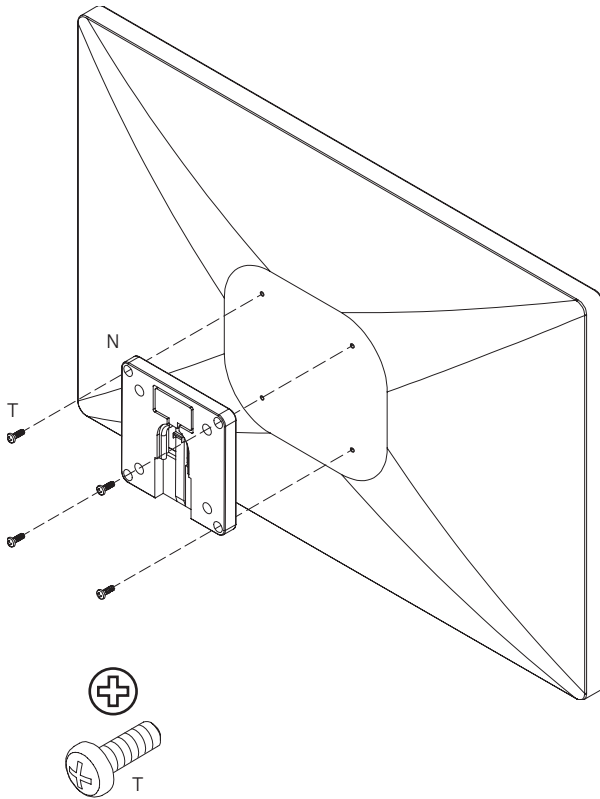


10

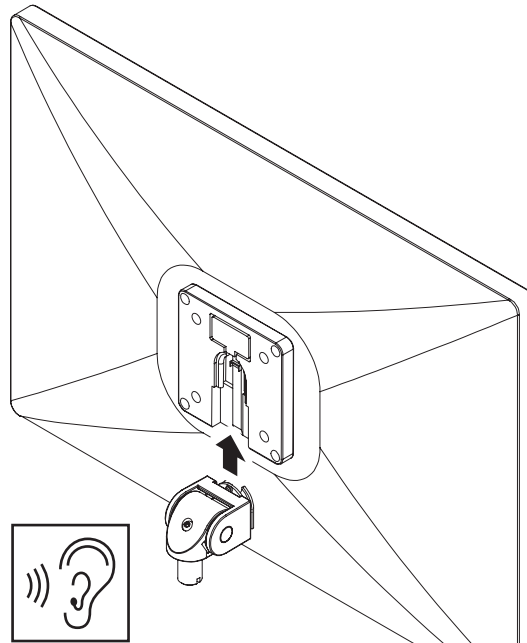


# CENTER ARM TILTER W/ QUICK CONNECT VESA PLATE ASSEMBLY

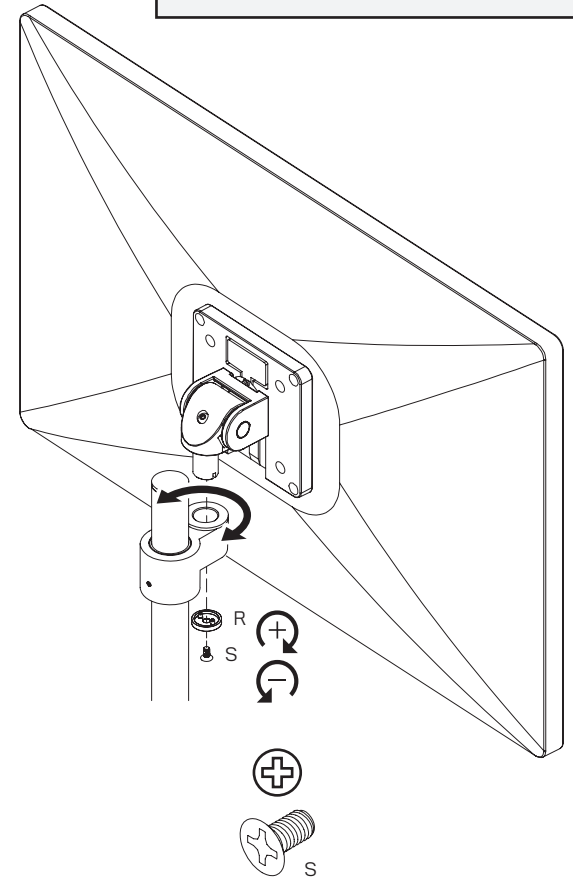
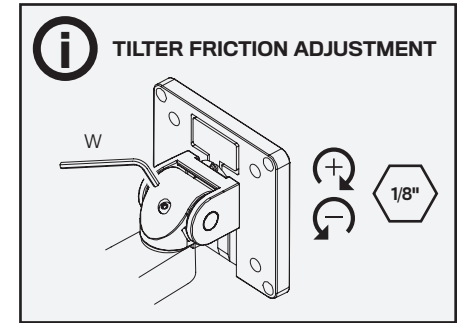
11



12



13



# DYNAMIC ARM COUNTERBALANCE

14

